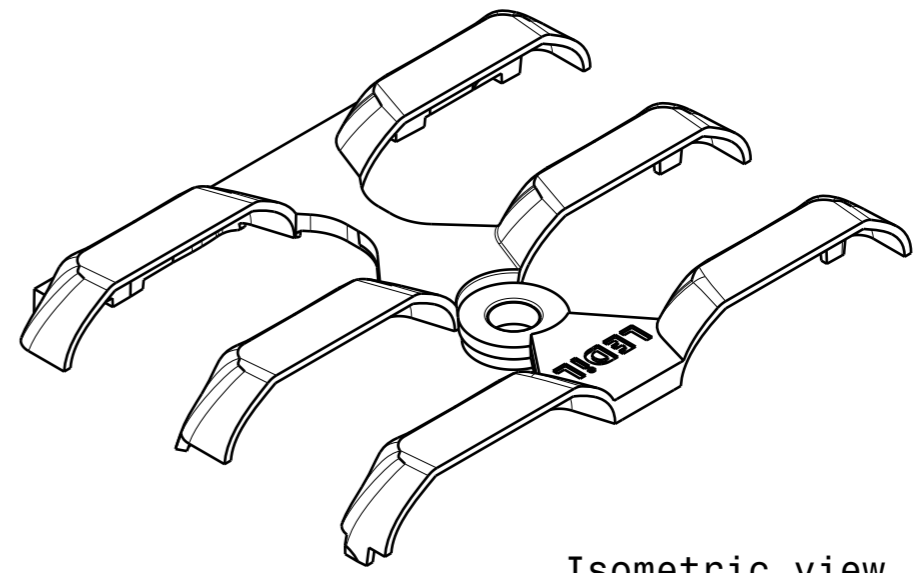
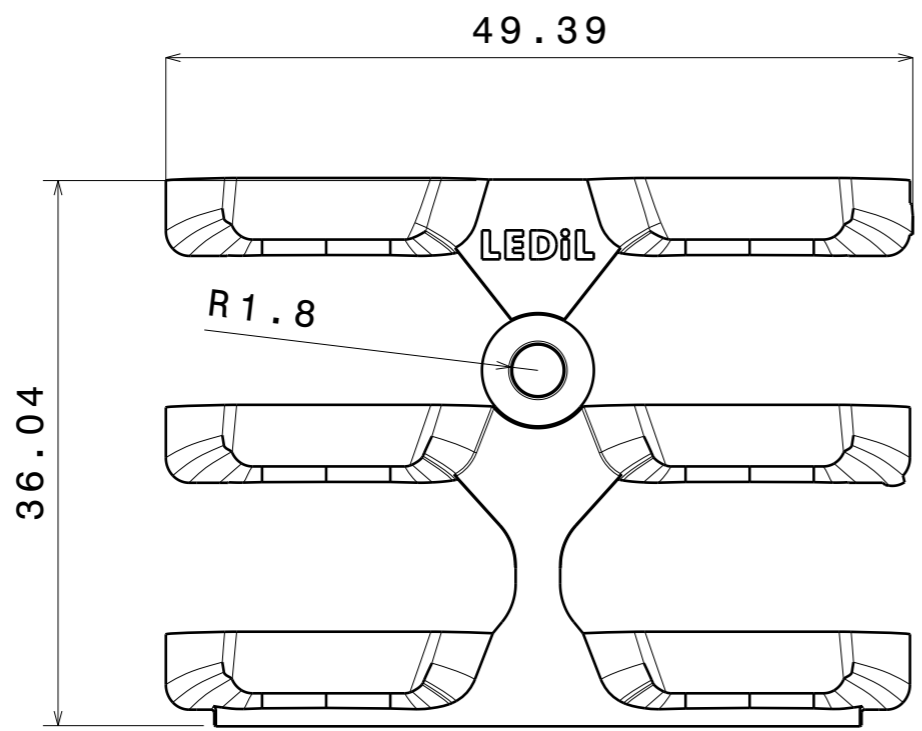
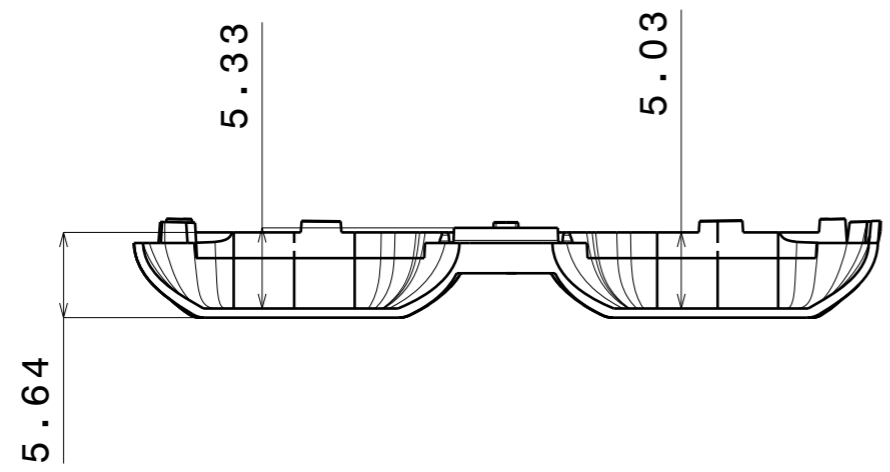


REV	DATE
001	16.02.2026



Isometric view
Scale: 2:1



PART	MATERIAL	COLOR / COATING
L20660_STRADA-2X3-SHD-WHT_001_MechanicalModel_001	PC	white

MECHANICAL DRAWING	
PRODUCT -	
Plastic moulding general tolerances according to DIN 16901-130 and applies if not otherwise shown in the drawing. Silicone moulding general tolerances according to ISO 3302-1 Class M3 and applies if not otherwise shown in the drawing.	FIRST ANGLE PROJECTION:
SCALE 1:1	WEIGHT -

LEDiL

This drawing is the property of LEDiL Oy. It may not be copied or otherwise distributed without prior written permission from LEDiL Oy.

A3 SHEET 1/1

●	PCB or heatsink level.
●	LED location
Ensure LED fitting from a product specific 3D model available from www.ledil.com	
For more details about installation please see LEDiL Installation Guide on www.ledil.com	